



Производитель: GUANGZHOU JET BIO-FILTRATION Co., LTD, No.1 DouTang Road, YongHe Development Zone, 511356 Guangzhou, People's Republic of China

Регистрационное удостоверение № ФСЗ 2012/12495 от 02.06.2020 г.

### Технические данные

## Микропробирки 0,2 мл, тип Эппендорф для ПЦР

### 1. Назначение

Микропробирки предназначены для хранения, транспортирования и центрифугирования биоматериала.

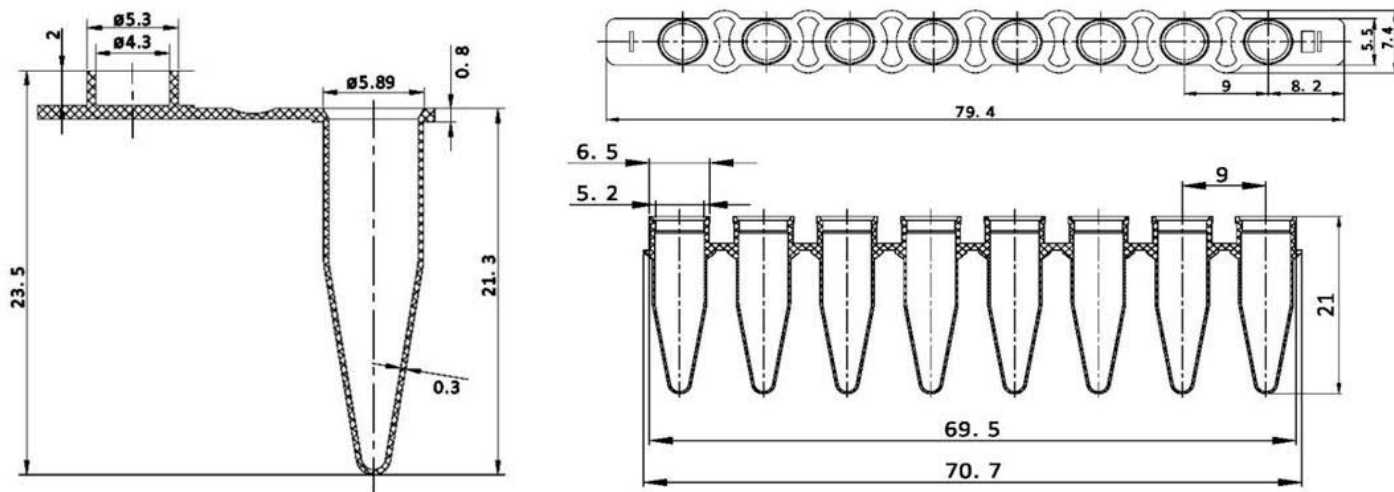
### 2. Материалы

Микропробирки для ПЦР изготовлены из высококачественного полипропилена.

### 3. Характеристики

- Типы изделий: микропробирки на 0,2 мл для ПЦР, стрипы из 8 пробирок и плоские крышки.
- Ультратонкая конструкция стенки для эффективной теплопередачи.
- Совместимость со стандартными 96-луночными тепловыми блоками.
- Не содержит ДНКазы, РНКазы и пирогены.
- Высокая светопропускаемость.
- Без градуировки.
- Стерилизовано гамма-излучением SAL10<sup>-6</sup> (ISO11137).
- Срок годности: 3 года.
- Изготовлены в чистом помещении класса 100 000.
- Произведены в соответствии с ISO13485 и ISO9001 системой управления качеством.

### 4. Размеры(мм)



Артикул	Код производителя	Наименование	Цвет пробирки	Стерильность	Упаковка, шт
11005571	PCR100200	Микропробирки 0,2 мл для ПЦР с плоской крышкой, в стрипах по 8 шт.	бесцветная	Да	125 стрипов/1250
11005570	PCR000200	Микропробирка 0,2 мл для ПЦР с плоской крышкой	бесцветная	Да	1000/10000



# Quality Certificate

Product Name: **PCR Tubes**

Catalog Number: PCR000200

Batch Number:

Expiry Date:

## Customer Focus:

At Jet, our customers' satisfaction is exactly what we are pursuing. We have good management and product development teams who have years of industry experience. Our cell and tissue culture professionals and our entrepreneurial spirit make us responsive to customer needs. We welcome special requests and work to provide the best and most personal service in the industry.

## Satisfaction Guarantee:

Jet offers a total satisfaction guarantee so you can be confident in your purchasing decision. If for any reason you are not satisfied with the product performance or service provided by Jet, we will either replace or issue a refund for the purchase price of your product.

**JET products are manufactured in accordance with ISO 13485: 2016 & ISO 9001: 2015 quality management systems in a class 100,000 clean room.**

**Sterilization** - Product labeled as sterile is irradiated and dosimetrically released upon ISO 11137 recommended practices in effect at the time of validation. Sterilization records are reviewed and signed off by qualified personnel for product release. JET BIOFIL products labeled sterile meet a minimum requirement of  $10^{-6}$  SAL (Sterility Assurance Level).

**Non-Pyrogenic** - Products labeled non-pyrogenic have been validated per FDA guidelines on LAL (Limulus Amebocyte Lysate) testing for medical devices and company guidelines. The acceptance level for product is less than 0.5 EU/mL.

**DNase&RNase Free** - This product has been tested and is free of any detectable RNase/DNase contamination.

**Quality Control Testing** - This product has been inspected and controlled through whole production processing in accordance with current applicable product specifications and QC SOP. Inspection records are reviewed and signed off by qualified personnel for product release.

A handwritten signature in black ink, appearing to read 'York Zhang'.

Quality Manager  
York Zhang



# Quality Certificate

Product Name: **PCR Tubes**

Catalog Number: PCR000200

Batch Number: 210215-006

Expiry Date: 20240215

## Customer Focus:

At Jet, our customers' satisfaction is exactly what we are pursuing. We have good management and product development teams who have years of industry experience. Our cell and tissue culture professionals and our entrepreneurial spirit make us responsive to customer needs. We welcome special requests and work to provide the best and most personal service in the industry.

## Satisfaction Guarantee:

Jet offers a total satisfaction guarantee so you can be confident in your purchasing decision. If for any reason you are not satisfied with the product performance or service provided by Jet, we will either replace or issue a refund for the purchase price of your product.

**JET products are manufactured in accordance with ISO 13485: 2016 & ISO 9001: 2015 quality management systems in a class 100,000 clean room.**

**Sterilization** - Product labeled as sterile is irradiated and dosimetrically released upon ISO 11137 recommended practices in effect at the time of validation. Sterilization records are reviewed and signed off by qualified personnel for product release. JET BIOFIL products labeled sterile meet a minimum requirement of  $10^{-6}$  SAL (Sterility Assurance Level).

**Non-Pyrogenic** - Products labeled non-pyrogenic have been validated per FDA guidelines on LAL (Limulus Amebocyte Lysate) testing for medical devices and company guidelines. The acceptance level for product is less than 0.5 EU/mL.

**DNase&RNase Free** - This product has been tested and is free of any detectable RNase/DNase contamination.

**Quality Control Testing** - This product has been inspected and controlled through whole production processing in accordance with current applicable product specifications and QC SOP. Inspection records are reviewed and signed off by qualified personnel for product release.

A handwritten signature in black ink, appearing to read 'York Zhang'.

Quality Manager  
York Zhang